



SERVING THE FOOD INDUSTRY SINCE 1951

34-INCH ICE CREAM DISPLAY CHEST FREEZER WITH FLAT GLASS TOP

Item: 45292 | Model: FR-CN-0200

OMCAN'S FR-CN-0200 ICE CREAM FREEZER is designed to merchandise and provide increased sales of frozen novelties and seasonal specialities. Its flat glass top puts your products in clear view of your customers. With 7.1 cu.ft. of storage, this freezer gives a spacious interior to keep an abundance of frozen products. For ice cream parlours, convenience stores and supermarkets, the FR-CN-0200 ice cream freezer is a sleek, attractive unit that is guaranteed to keep up with the demands of your establishment.



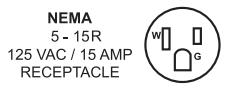
WARRANTY
PARTS AND LABOR



Authorized Dealer

REFRIGERATION

34-INCH ICE CREAM DISPLAY CHEST FREEZER WITH FLAT GLASS TOP



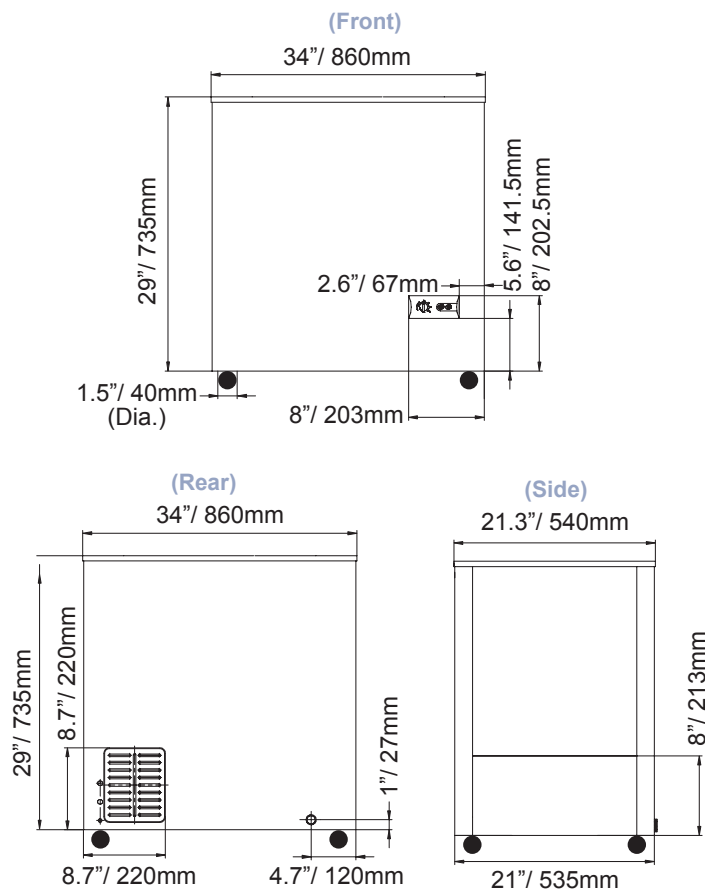
Features:

- 7.1 cu.ft. of storage
- Material: (exterior) Cold-Roll Steel Sheet; (Interior) Embossed Aluminum
- Casters and 1 basket included
- Designed with sliding door and a built-in lock for security

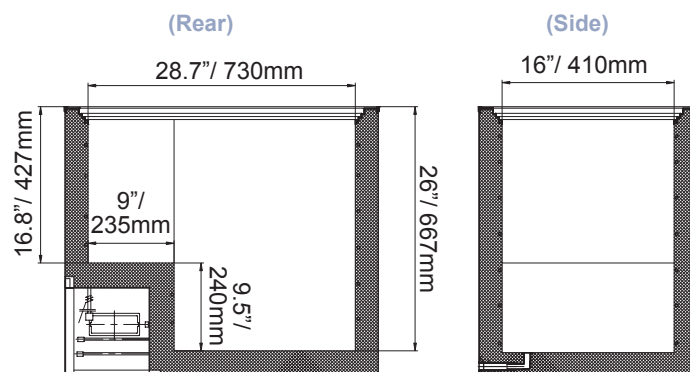
TECHNICAL SPECIFICATION

ITEM NUMBER	45292
MODEL	FR-CN-0200
FREEZER CAPACITY	7.1 cu.ft
BUILT-IN LOCK	YES
NUMBER OF BASKETS	1
BASKET DIMENSIONS	16.85" x 8.34" x 7.9"
TEMPERATURE	≤-18°C
REFRIGERANT	R134a
ELECTRICAL	110V/60Hz/1Ph
AMPS	1.5A
NET WEIGHT	36kg/ 79lbs
PACKAGING WEIGHT	41kg/ 90 lbs
NET DIMENSIONS (DWH)	21.3" x 34" x 30.5" / 540 x 860 x 775mm
PACKAGING DIMENSIONS	36" x 24" x 33" / 915 x 605 x 840mm

TECHNICAL DRAWING WITH DIMENSIONS (EXTERIOR)



TECHNICAL DRAWING WITH DIMENSIONS (INTERIOR)



OMCAN INC.

Telephone: 1-800-465-0234

Fax: (905) 607-0234

Email: sales@omcan.com

Website: www.omcan.com



Follow us to keep up to date with the latest news and offers

