

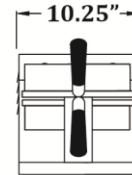


**GOLD MEDAL® PRODUCTS CO.**

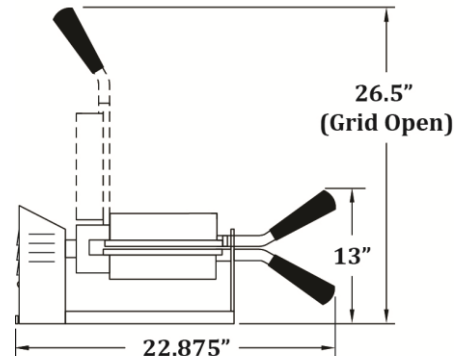
# Belgian Waffle Baker w/Electronic Control

Model No. 5021ET

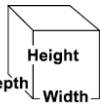
## Specifications



Operator End View



Side View



### Overall Dimensions:

**Width:** 10.25"

**Depth:** 22.875"

**Height:** 13"

(Dimensions w/grids in closed position.)

### Features:

- Electronic Control
- Non-stick Coated Grids

### Electrical - Domestic

120V

1300 WATTS 60 Hz

(NEMA 5-15P) Plug

### Plug Type:



NEMA 5-15P

### Agency Approvals:



**Gold Medal Products Co.**  
10700 Medallion Drive, Cincinnati, OH 45241

Ph: (513) 769-7676, (800) 543-0862; Fax: (513) 769-8500  
gmpopcorn.com info@gmpopcorn.com