

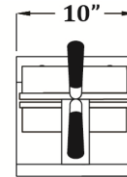


**GOLD MEDAL® PRODUCTS CO.**

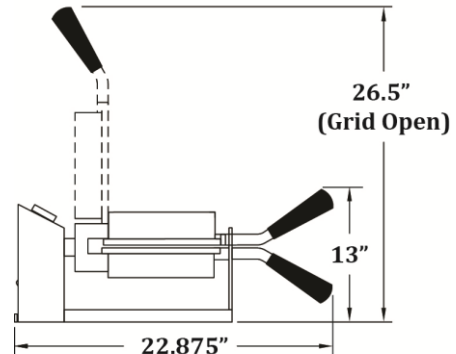
# Waffle Dogger Machine

Model No. 5044

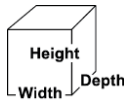
## Specifications



Operator End View



Side View



### Overall Dimensions:

**Width:** 10"

**Depth:** 22.875"

**Height:** 13"

(Dimensions w/grids in closed position.)

### Electrical - Domestic

120V

1660 WATTS 60 Hz

(NEMA 5-15P) Plug

**Plug Type:**

**Agency Approvals:**



NEMA 5-15P



LISTED



NSF



**Gold Medal Products Co.**

10700 Medallion Drive, Cincinnati, OH 45241

Ph: (513) 769-7676, (800) 543-0862; Fax: (513) 769-8500

gmpopcorn.com info@gmpopcorn.com