

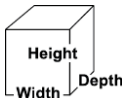
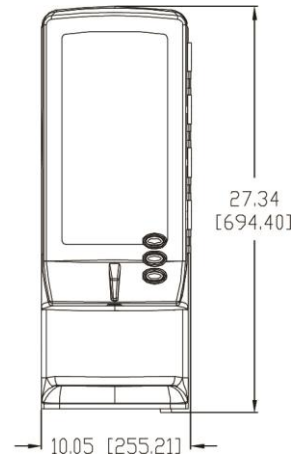
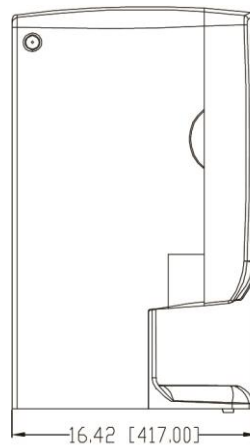


**GOLD MEDAL® PRODUCTS CO.**

# Nacho Cheese Dispenser

Model No. 5300 and 5300ND

## Specifications



**Model 5300 shown for reference  
(Model 5300ND does not include decals)**

### Overall Dimensions:

**Width:** 10.05" (255.21mm)  
**Depth:** 16.42" (417.00 mm)  
**Height:** 27.34" (694.40 mm)

### Description:

**Model 5300** - Cheese Dispenser with El Nacho Grande Decals  
**Model 5300ND** - Cheese Dispenser without decals

### Features:

- Three button cheese dispenser (capability to set time dispense for each button).

### Electrical - Domestic

120V  
225 WATTS 60 HZ  
(NEMA 5-15P) Plug

### Plug Type:



### Agency Approvals:



**Gold Medal Products Co.**  
10700 Medallion Drive, Cincinnati, OH 45241

Ph: (513) 769-7676, (800) 543-0862; Fax: (513) 769-8500  
gmpopcorn.com info@gmpopcorn.com