



Freeze&Go

Add fresh Ice Cream, Gelato, Sorbet, Frozen Custard and Custard to your restaurant's menu



Performance Create high-quality freshly made frozen desserts for any setting. Automatic control ensures creamy consistency. Can create frozen desserts with both classic mixtures as well as modern haute cuisine recipes. Mixing cup extracts easily for serving.



Convenience All it takes is 3 simple steps to you own fresh specialty frozen dessert. Air cooled machine runs on single phase power to fit into almost any setting.

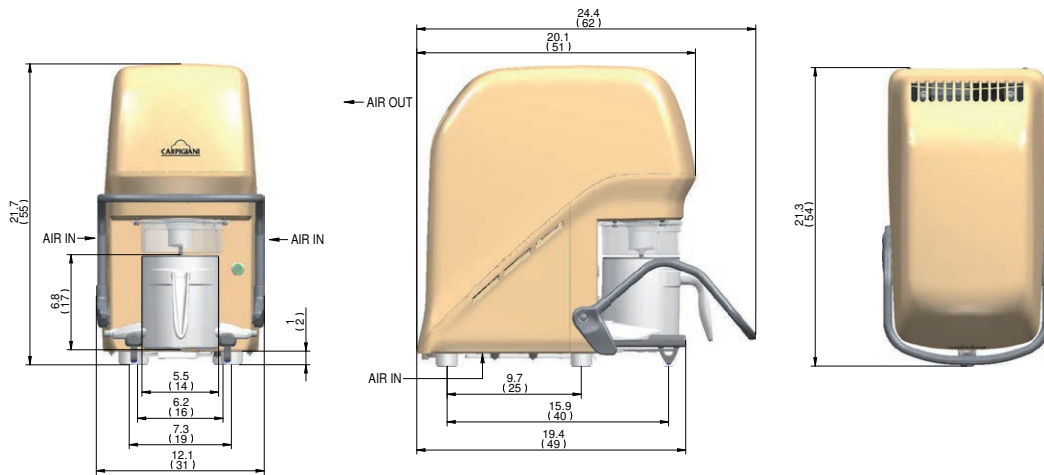


Savings Add freshly made Ice Cream to the product offer and gain independence on choice of flavors and cost. Low electrical consumption.



Hygiene Easily to clean mixing cup is dishwasher safe.





AIR

Weights	lbs.	kgs.	
Net	72.75	33	
Crated	99.2	45	
Volume			
	cu. ft.	cu. m.	
Volume	8.48	0.24	
Dimensions			
	in.	cm.	
Width	12.1	31	
Depth (handle opened)	24.4	62	
Depth (handle closed)	21.3	54	
Height	21.7	55	
Electrical	Maximum Fuse Size	Minimum Circuit Ampacity	Poles (P) Wires (W)
115/60/1 Air	10A	10A	1P, 1W

Specifications

Electrical

A dedicated electrical connection is required. Manufactured to be permanently connected. See the Electrical chart for the proper electrical requirements. Consult your local Carpigiani distributor for cord & receptacle specifications as local codes allow.

Beater Motor

0,12 HP

Refrigeration System

R404A

Air Cooled *

Minimum clearance: 0" (0 cm) on both side panels and 19.7" (50 cm) above panel for proper air circulation.

Tank Capacity

0.5 quarts (0.47 liters)

All specifications mentioned must be considered approximate; Carpigiani reserves the right to modify, without notice, all parts deemed necessary. This unit may be manufactured in other electrical characteristics and may have additional regulatory agency approvals, please consult the local Carpigiani Distributor. Check name plate for exact electrical data. * Room temperature 68°F (20°C).

Bidding Specs

Electrical Volt _____ Hz _____ Ph _____ Neutral Yes No Cooling Air Water

Options _____



738 Gallimore Dairy Road, Suite 113
High Point, NC - 27265
Toll free (800) 648 4389

Dealer



carpigiani.com/us

an Ali Group Company



The Spirit of Excellence