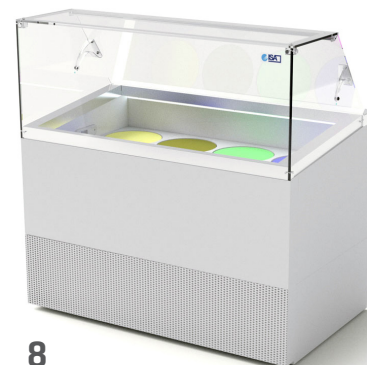


Cold Wall

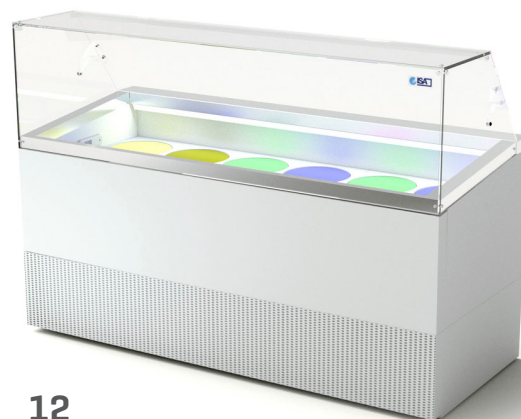
Ice cream

4 • 6 • 8 • 12 • 16

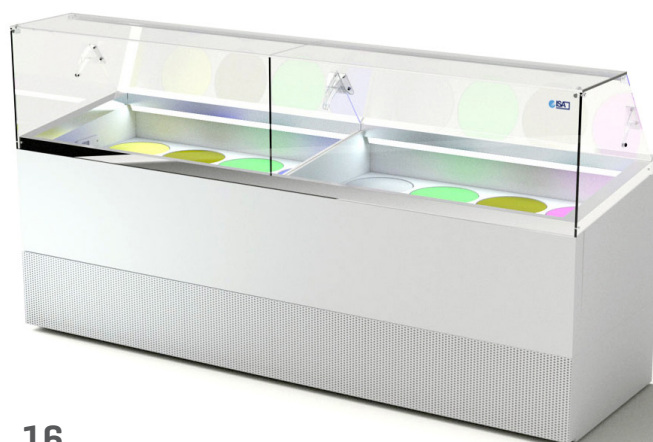
Ice cream cabinets with static refrigeration internal foamed evaporator. One piece body with ecological polyurethane insulation (HCFC & HFC free), foamed with CO2. Tempered glass structure.



8



12



16

	REFRIGERANT	R290
	ENERGY SAVING	Led + EC Fan motor
	INSTALLATION	Plug-In
	CABINET CAPACITY RANGE	-5,8 / 5 °F
	DEFROST	Hot gas
	CLIMATIC CLASS	3 [77 °F / 60% R.H.]
	REFRIGERATION	Static
	CLOSING SYSTEM	Tilting panel

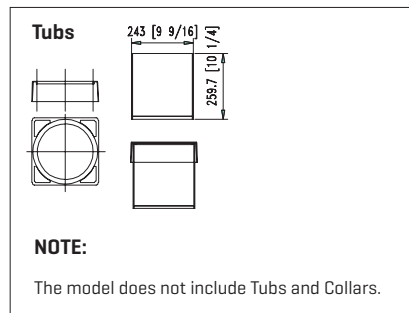
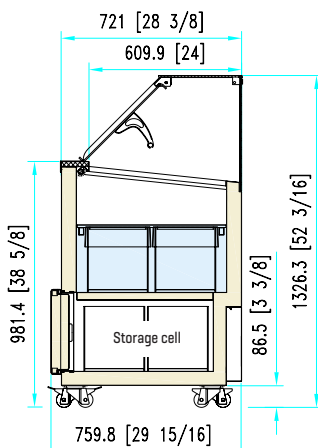
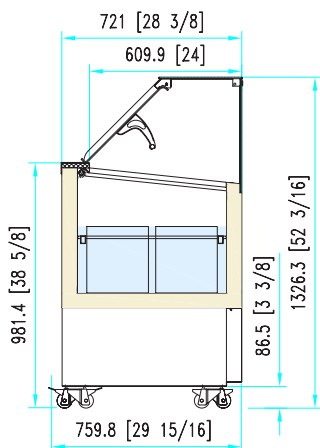
STANDARD MODEL INCLUDES:

- Operator side closure with pivoting methacrilate panel system
- Work top in stainless steel
- Refrigerated storage cell (8-12-16 models only)
- Electronic control panel
- Swivel casters with brake
- Led lighting

Cold Wall Ice cream

4-6

8-12-16



TECHNICAL FEATURES			4	6	8	12	16
External dimensions	Lenght	inch	26 3/16	36 3/4	47 5/16	68 5/16	91 13/16
Capacity	Gross / Net	Display	155 / 87	232 / 130	290 / 173	420 / 260	580 / 346
		Storage	-	-	85 / 85	130 / 130	170 / 170
Weight	Net	lb	148	202	264	396	485
Refrigerant			R290				
Product temperature		°F	-5,8 / 5				
Compressor	Type / Q.ty		Hermetic / 1				
Defrost			Hot gas				

TUBS ARRANGEMENT			4	6	8	12	16
ø 9 9/16 x 10 1/4h (3 gallon tub)	Display		4	6	8	12	16
	Storage		-	-	4	6	8

ELECTRICAL DATA			4	6	8	12	16
Power supply			115 / 60 / 1			220 / 60 / 1	
Nema plug			L5-15			L6-15	
Electrical input		A	7			7,6	

Technical info refers to models with built-in air cooled condensing unit.

PACKAGING STANDARD [Carton + Pallet]			4	6	8	12	16
External dimensions	Lenght	inch	27 3/4	38 19/32	52 3/4	76 3/8	97 5/8
	Depth x Height	inch	35 7/16 x 61 13/16				
Gross weight		lb	-	-	-	-	-



Dealer

ISA S.p.A.

Via Madonna di campagna, 123
06083 Bastia Umbra (PG)
Italy
T. +39 075 801 71
F. +39 075 800 09 00
E. customerservice@isaitaly.com
www.isaitaly.com