

# G-COOL™ MINI-QUATTRO™

Project                      Date                      Model **C-4D-16**                      Item#                      Quantity



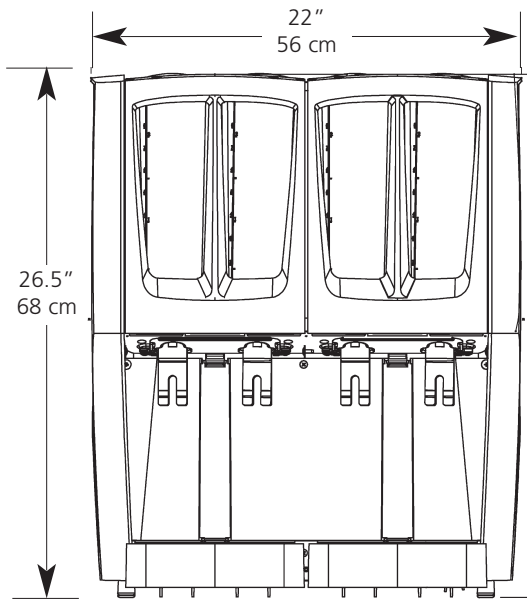
model C-4D-16

## Features

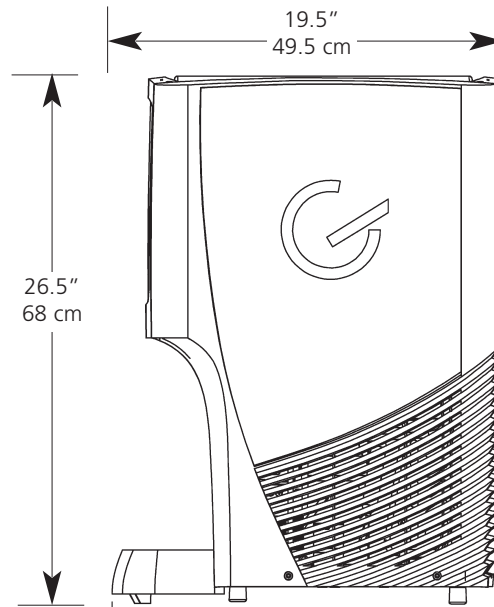
The most advanced, user-friendly cold premix dispenser available sells more cold beverages. Four 2.4 gallon (9 L) bowls with 9.5" (24 cm) cup height. 360° merchandising helps you stand out from the competition and attract more customers. Faster cleaning - cleans in half the time of a traditional dispenser, saving labor. Simple machine care and easy operator interface promote better sanitation. Breakthrough technology featuring patented Tri-Cool™ evaporator offers maximum refrigeration using less energy and saving money. Low aeration magnetic mixing system keeps product mixed without creating unwanted foam in tea and cappuccino products. Modular construction uses interchangeable components throughout the line, promoting machine flexibility while keeping parts inventories low.

# Models & Dimensions

## G-Cool™ Mini-Quattro™



Mini-Quattro™ - Front View



Mini-Quattro™ - Side View

model C-4D-16 represented  
measurements in inches [cm]

# Specifications

Model	Description	Electrical	Product Dimensions (H x W X D)	Shipping Dimensions (H x W X D)	Ship Weight
C-4D-16 (99514)	UL, NSF, CUL, RoHS* Certification	120V / 980W / 9 A / 1 Ph	26.5" x 22" x 19.5" (68 cm x 56 cm x 50 cm) including drip tray	30" x 25.5" x 22" (76 cm x 65 cm x 56 cm)	150 lbs (68 kg)

\* Must specify RoHS model when required. Additional cost may apply.  
**Specify Graphic:** Iced Coffee (99454), Iced Tea (99455), or Fruit (99456)  
**Refrigerant:** 134A



GMCW™ 4003 Collins Lane, Louisville, KY 40245 USA

Tel: +1.502.425.4776 / 800.695.4500 (USA & Canada only) • Fax: +1.502.425.4664 • www.gmcw.com • Email: info@gmcw.com