

# CLASSIC BUBBLERS™ MINI-TWIN

Project                      Date                      Models **E29-3, E29-4, E295-3, E295-4,**  
**E296-3, E296-4**                      Item#                      Quantity



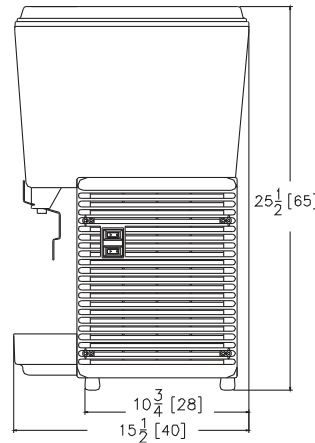
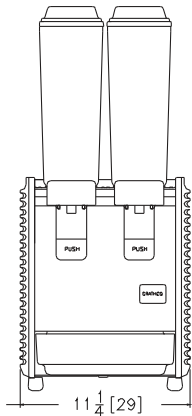
model E29-3

## Features

- Pre-mix dispenser in compact size saves valuable counter space.
- Dispense 2 flavors in less than one square foot with 8 inch (20 cm) cup height.
- Two-piece stainless steel dripless pouring valves are sanitary and easy to use and maintain.
- Large capacity drip pan holds more.
- Two generous, yet compact, 2.4 gallon ( 9 L) easy-clean bowls.
- Unique evaporator and high efficiency pump cools faster and more efficiently for quick start-up.
- Superior engineering allows full beverage cooling right down to the last drink.
- 1/6 hp refrigeration.
- Super-strong, virtually unbreakable polycarbonate bowls and covers give lasting durability.
- Agitators are included with each unit for fresh juices, coffees, or teas.

# Models & Dimensions

## Classic Bubblers™ Mini-Twin



model E29 represented  
measurements in inches [cm]

## Specifications

Model	Description	Electrical	Product Dimensions (H x W X D)	Ship Dimensions - two boxes (H x W X D)	Ship Weight
<b>E29-3</b> Base: (5584) Bowl: (5114)	Stainless steel side panels and drip tray <b>UL, NSF, CUL Certification</b>	120V / 400W / 4 A 1 Ph	25.5" x 11.25" x 15.5" (65 cm x 29 cm x 40 cm)	Base: 15" x 15" x 16" (38 cm x 38 cm x 41 cm) Bowl: 16" x 19" x 9" (41 cm x 48 cm x 23 cm)	56 lbs (base: 45, bowls: 11) 25.4 kg (base: 20.4, bowls: 5)
<b>E29-4</b> Base: (5583) Bowl: (5124)	Plastic side panels and drip tray <b>UL, NSF, CUL Certification</b>	120V / 400W / 4 A 1 Ph	25.5" x 11.25" x 15.5" (65 cm x 29 cm x 40 cm)	Base: 15" x 15" x 16" (38 cm x 38 cm x 41 cm) Bowl: 16" x 19" x 9" (41 cm x 48 cm x 23 cm)	56 lbs (base: 45, bowls: 11) 25.4 kg (base: 20.4, bowls: 5)
<b>E295*</b>	<b>NSF, CE Certification</b>	230V / 50Hz / 1.7A	25.5" x 11.25" x 15.5" (65 cm x 29 cm x 40 cm)	Base: 15" x 15" x 16" (38 cm x 38 cm x 41 cm) Bowl: 16" x 19" x 9" (41 cm x 48 cm x 23 cm)	56 lbs (base: 45, bowls: 11) 25.4 kg (base: 20.4, bowls: 5)
<b>E296**</b>	<b>NSF, CE Certification</b>	230V / 60Hz / 1.7A	25.5" x 11.25" x 15.5" (65 cm x 29 cm x 40 cm)	Base: 15" x 15" x 16" (38 cm x 38 cm x 41 cm) Bowl: 16" x 19" x 9" (41 cm x 48 cm x 23 cm)	56 lbs (base: 45, bowls: 11) 25.4 kg (base: 20.4, bowls: 5)

\* (E295-3) = Stainless steel side panels and drip tray (E295- 4) = Plastic side panels and drip tray

\*\* (E296-3) = Stainless steel side panels and drip tray (E296- 4) = Plastic side panels and drip tray

Refrigerant: 134A

### Options

**Valve Cap (2039)** - Improves sealing of valve when using pulpy product

**Valve Locking Box (2502)** - Secures the valve from dispensing during off-hours - not to be used with non-contact handle

**Liquid Auto Fill (90295)** - Ensures proper product and mixing consistency, eliminates need for frequent manual mixing

**Low Foam Impeller (3709)** - Use with iced tea and milk based drinks to minimize foaming

**Milk Fat Impellers (1161M Lg Blue or 1008M Sm Red)** - Use with milk-based products, and/or products with heavy pulp

**Condensation Cover (3666)** - Direct and conceal condensation in high humidity or outdoor locations

**Security Kit (5351)** - Use with E29 models



GMCW™ 4003 Collins Lane, Louisville, KY 40245 USA

Tel: +1.502.425.4776 / 800.695.4500 (USA & Canada only) • Fax: +1.502.425.4664 • www.gmcw.com • Email: info@gmcw.com