

CLASSIC BUBBLERS™ MINI-QUAD

| Project | Date | Models | Item# | Quantity |
|---------|------|---|-------|----------|
| | | E49-3, E49-4, E495-3, E495-4, E496-3, E496-4 | | |



model E49-4

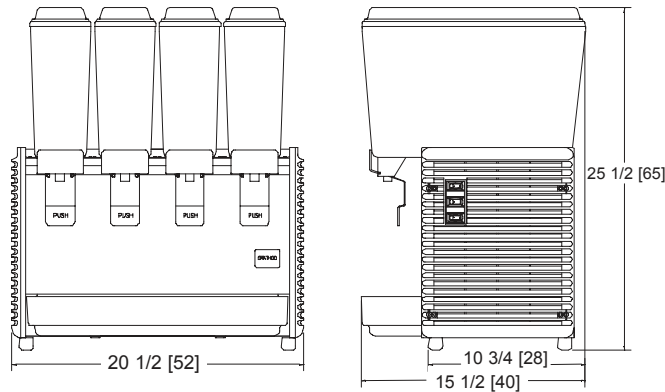
Features

- Pre-mix dispenser in compact size saves valuable counter space.
- Dispense 4 flavors in less than 21 inches (53 cm) with 8 inch (20 cm) cup height.
- Two-piece stainless steel dripless pouring valves are sanitary and easy to use and maintain.
- Large capacity drip pan holds more.
- Four generous, yet compact, 2.4 gallon (9 L) easy-clean bowls.
- Unique evaporator and high efficiency pump cools faster and more efficiently for quick start-up.
- Superior engineering allows full beverage cooling right down to the last drink.
- 1/5 hp refrigeration.
- Super-strong, virtually unbreakable polycarbonate bowls and covers give lasting durability.
- Agitators are included with each unit for fresh juices, coffees, or teas.

Models & Dimensions



Classic Bubblers™ Mini-Quad



model E49 represented
measurements in inches [cm]

Specifications

| Model | Description | Electrical | Product Dimensions (H x W X D) | Ship Dimensions - two boxes (H x W X D) | Ship Weight |
|--|--|---------------------------|--|--|---|
| E49-3 Base: (5538) Bowl: (5115) | Stainless steel side panels and drip tray UL, NSF, CUL Certification | 120V / 720W / 6 A 1 Ph | 25.5" x 20.5" x 15" (65 cm x 52 cm x 38 cm) | Base: 14" x 24" x 16" (36 cm x 61 cm x 41 cm) Bowl: 20" x 26" x 10" (51 cm x 66 cm x 25 cm) | 91 lbs (base: 67, bowls: 24) 41.2 kg (base: 30.4, bowls: 10.8) |
| E49-4 Base: (5542) Bowl: (5125) | Plastic side panels and drip tray UL, NSF, CUL Certification | 120V / 720W / 6 A 1 Ph | 25.5" x 20.5" x 15" (65 cm x 52 cm x 38 cm) | Base: 14" x 24" x 16" (36 cm x 61 cm x 41 cm) Bowl: 20" x 26" x 10" (51 cm x 66 cm x 25 cm) | 91 lbs (base: 67, bowls: 24) 41.2 kg (base: 30.4, bowls: 10.8) |
| E495* | NSF, CE Certification | 230V / 50Hz / 2.7A | 25.5" x 20.5" x 15" (65 cm x 52 cm x 38 cm) | Base: 14" x 24" x 16" (36 cm x 61 cm x 41 cm) Bowl: 20" x 26" x 10" (51 cm x 66 cm x 25 cm) | 91 lbs (base: 67, bowls: 24) 41.2 kg (base: 30.4, bowls: 10.8) |
| E496** | NSF, CE Certification | 230V / 60Hz / 2.7A | 25.5" x 20.5" x 15" (65 cm x 52 cm x 38 cm) | Base: 14" x 24" x 16" (36 cm x 61 cm x 41 cm) Bowl: 20" x 26" x 10" (51 cm x 66 cm x 25 cm) | 91 lbs (base: 67, bowls: 24) 41.2 kg (base: 30.4, bowls: 10.8) |

* (E495-3) = Stainless steel side panels and drip tray (E495- 4) = Plastic side panels and drip tray

** (E496-3) = Stainless steel side panels and drip tray (E496- 4) = Plastic side panels and drip tray

Refrigerant: 134A

Options

Valve Cap (2039) - Improves sealing of valve when using pulpy product

Valve Locking Box (2502) - Secures the valve from dispensing during off-hours - not to be used with non-contact handle

Liquid Auto Fill (90295) - Ensures proper product and mixing consistency, eliminates need for frequent manual mixing

Low Foam Impeller (3709) - Use with iced tea and milk based drinks to minimize foaming

Milk Fat Impellers (1161M Lg Blue or 1008M Sm Red) - Use with milkbased products, and/or products with heavy pulp

Condensation Cover (3666) - Direct and conceal condensation in high humidity or outdoor locations

Security Kit (5353) - Use with E49 models



GMCW™ 4003 Collins Lane, Louisville, KY 40245 USA

Tel: +1.502.425.4776 / 800.695.4500 (USA & Canada only) • Fax: +1.502.425.4664 • www.gmcw.com • Email: info@gmcw.com